

General characteristics and technical data Series 100

Housing	
Locking system	threaded coupling
Mounting type (panel mount connector)	round flange
Housing material	aluminium (Al)
Surface plating	nickel (Ni)
Protection class (mated connector)	IP50
Operating temperature	-30 °C to +80 °C

Contacts 2.5 mm (connector types SB1x0)	
Termination method	solder / screw
Rated current	30 A
Max. operating current	40 A
Pulse current	3000 A
Volume resistance	300 µΩ
Contact diameter	2.5 mm
Max. wire size	AWG 14 / 2.5 mm ²
Contact material	brass (CuZn)
Contact plating	silver (Ag) / gold (Au)
Insertion / Withdrawal force	5.5 N / 4.0 N
Mating cycles	100,000
Rated temperature	+120 °C

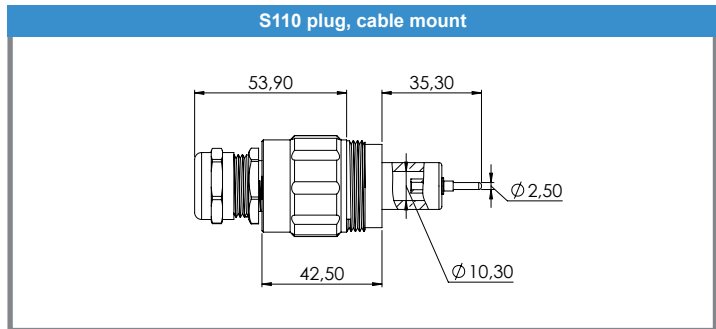
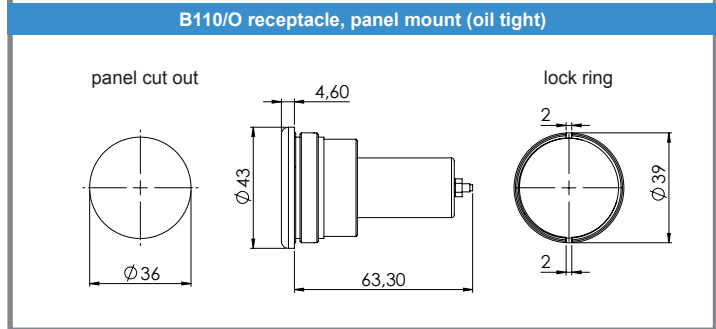
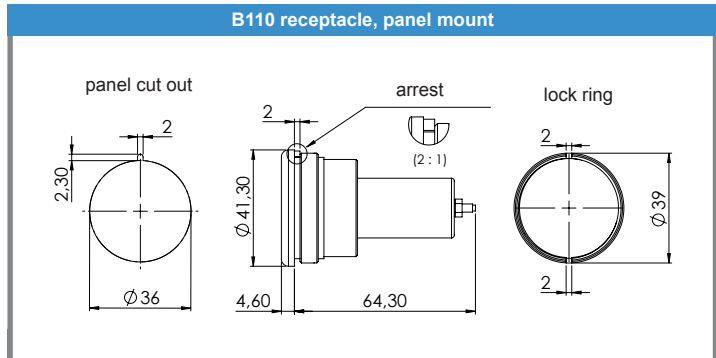
Contacts 5 mm (connector types SB1x5)	
Termination method	solder / screw
Rated current	80 A
Max. operating current	110 A
Pulse current	10000 A
Volume resistance	150 µΩ
Contact diameter	5 mm
Max. wire size	AWG 8 / 10 mm ²
Contact material	brass (CuZn)
Contact plating	silver (Ag)
Insertion / Withdrawal force	15 N / 10 N
Mating cycles	100,000
Rated temperature	+120 °C

Insulation inserts	
Number of contacts	1
Insulation material	PTFE / POM
CTI value	600
Flammability class PTFE	UL94 V-0
Flammability class POM	UL94 HB
Operating temperature PTFE	-50 °C to +200 °C
Operating temperature POM	-30 °C to +120 °C
Insulating material group PTFE / POM	I (DIN IEC 60664)



B110 receptacle, panel mount
S110 plug, cable mount

Electrical Values	
Operating Voltage (DC)	10 kV
Test voltage (DC)	15 kV
Rated current	30 A
Maximum operating current	40 A
Pulse current	3000 A
Characteristics	
Contact size	2.5 mm
Insulation material	PTFE
Mounting type receptacle	roundflange
Contact plating	silver (Ag)



drawing - dimensions in mm

Series - 100

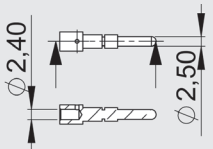
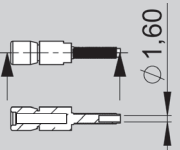
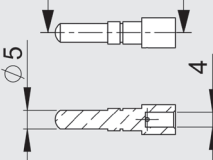
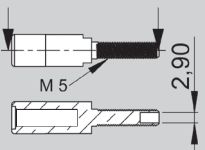
P/N	Description	Plug, cable mount	Receptacle, panel mount	KV* for cable O.D. 5 - 10 mm	KV* for cable O.D. 7 - 12 mm	KV* for cable O.D. 10 - 14 mm	oiltight version
7212000	S110/A PTFE	•			•		
7212001	S110/B PTFE	•				•	
7212004	S110/E PTFE	•		•			
7213000	B110 PTFE		•				
7213001	B110/O PTFE		•				•

*KV = screwed cable gland

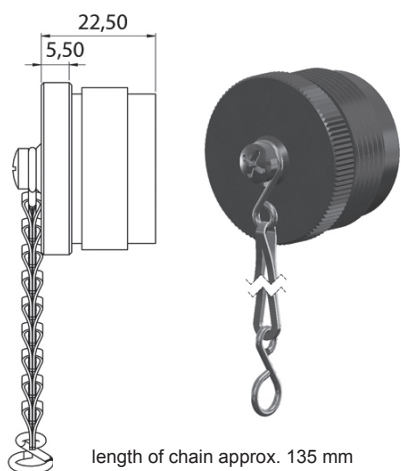


Accessories / Cables - page 33
Mounting instructions - page 34-35

Contacts

P/N	Description	Mechanical drawing
6572001	male contact 2.5 mm silver plated (Ag)	
6572005	female contact 2.5 mm silver plated (Ag)	
6672050	male contact 5 mm silver plated (Ag)	
6572007	female contact 5 mm silver plated (Ag)	

Covering

P/N	Description
6671011	Covering with thread for receptacles Series 100, receptacle, panel mount with chain
Mechanical drawing	
 <p>length of chain approx. 135 mm</p>	

drawing - dimensions in mm

HV cables

P/N	Description	Technical data	for connector types
3330005	HV cable, 50 kVDC, shielded, red	- Rated voltage 50 kVDC - Wire Size 0.34 mm ² / AWG22 - Diameter dielectric insulation 4.60 mm - Diameter cable jacket 7.00 mm	SB110 SB115 SB120 SB125 SB125/Pro SB130 SB135 SB150 SB155
3330049	HV cable, 100 kVDC / 30 kVAC, unshielded, transparent	- Rated voltage 100 kVDC / 30 kVAC - Wire Size 1.5 mm ² / AWG16 - Diameter dielectric insulation 9.40 mm	SB160 SB165 SB1100
3330050	HV cable, 100 kVDC, shielded, black	- Rated voltage 100 kVDC - Wire Size 1.5 mm ² / AWG16 - Diameter dielectric insulation 9.40 mm - Diameter cable jacket 11.22 mm	SB160 SB165 SB1100

Mounting instructions

Shielded cable

Series **100**

Series - 100

