

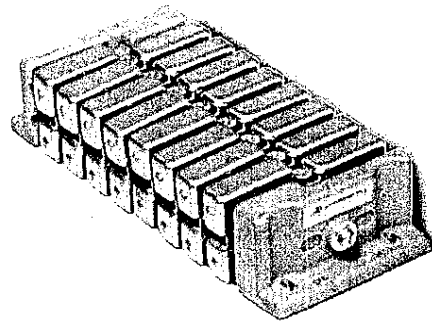
3HV16L12A
7 Amps
38.4 kV

Effective April 24, 2008

HIGH VOLTAGE COLUMN RECTIFIER

Features:

- . Corona Shielding for High Voltage Air Operation
- . MOV Compensated

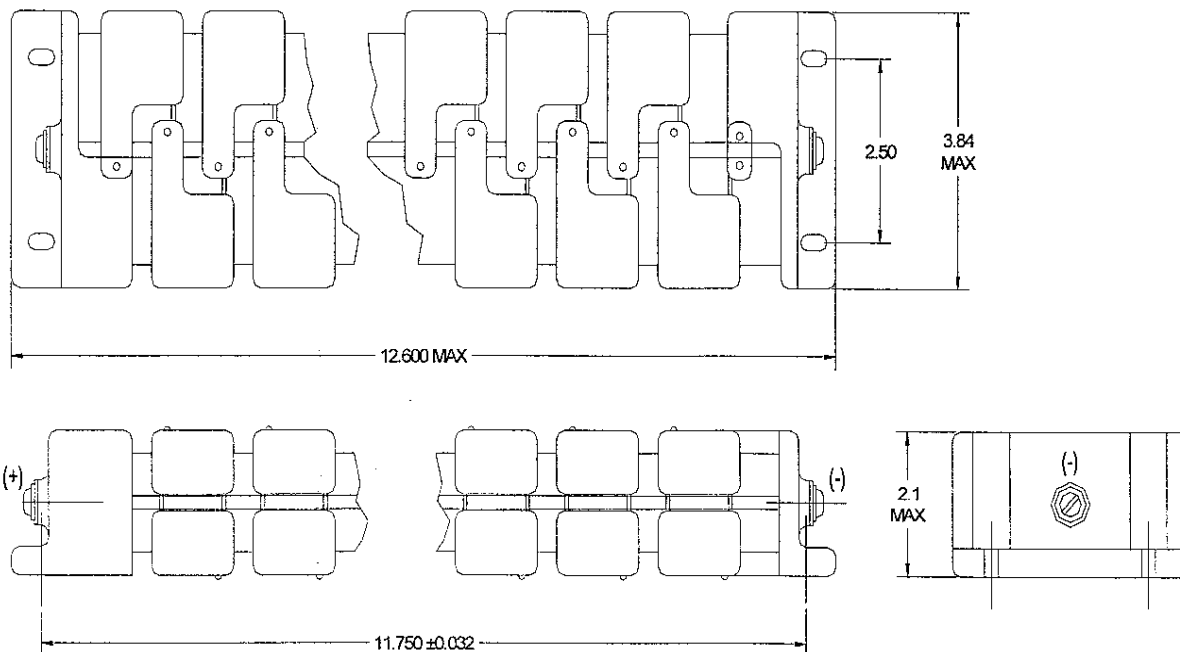


ELECTRICAL CHARACTERISTICS AND RATINGS

Part Number	Rep. Peak Reverse Voltage V_{RRM} In kV	Avg. Forward Current @		Max. Forward Voltage Drop $V_F@I_F$ Per Leg V (Volts)	Max. Reverse Current Range I_R Equals; $I_R@V_{RRM}@25^\circ C$ mA (milliamps)	Max. Surge Current I_{FSM} (8.3 ms) A (Amps)
		40°C	70°C Oil			
3HV16L12A	38.4	7.0	33.0	24	5	500

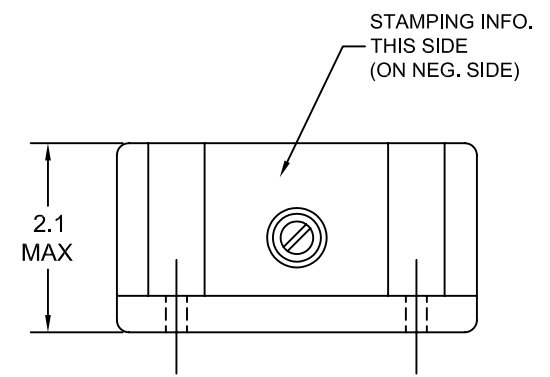
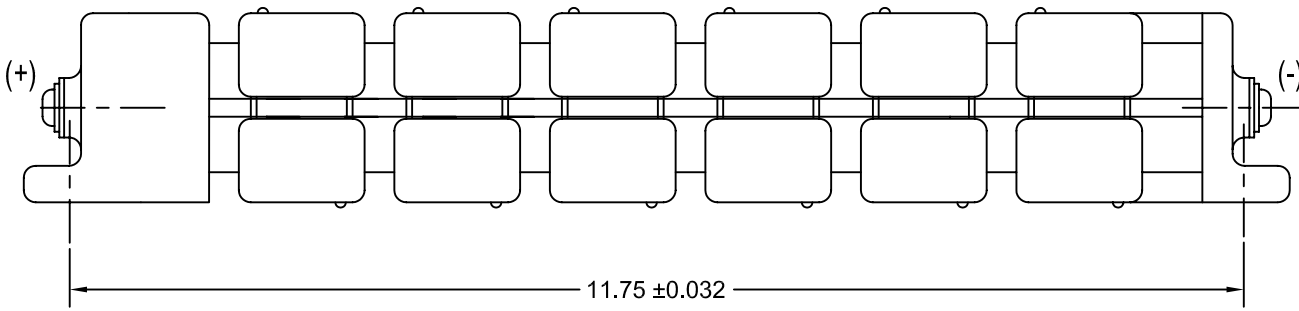
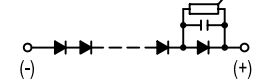
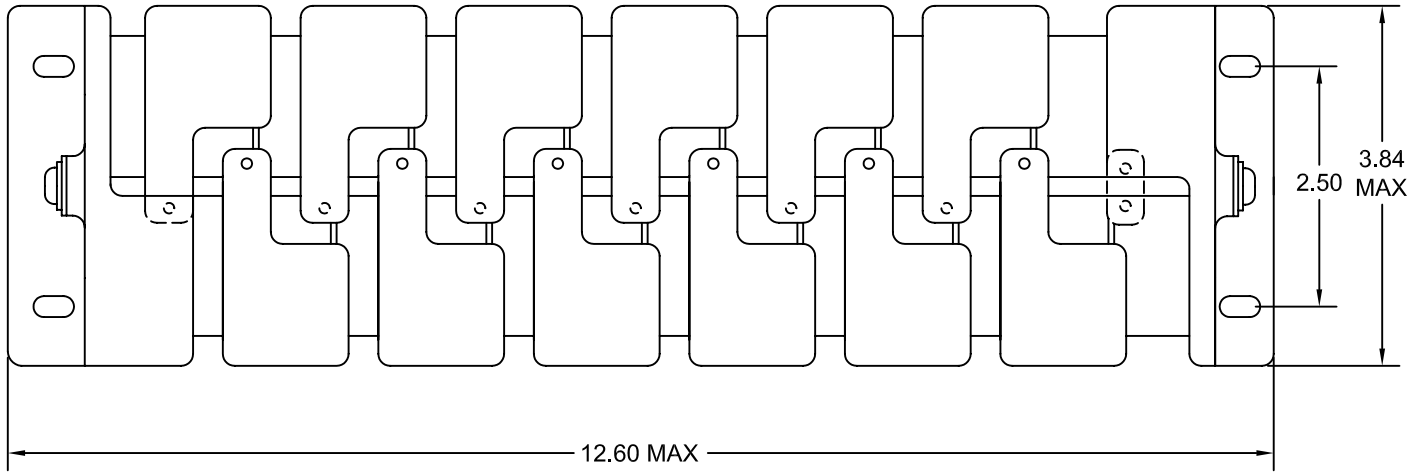
CASE OUTLINE AND DIMENSIONS

12 MODULES PER STACK



12 MODULES PER STACK

R/C NETWORK ACROSS EACH DIODE



MATERIAL:
FINISH:
REVISIONS: 1. ADDED SCHEMATIC AND STAMPING LOCATION. DEG 5/17/06 2. REVERSED POLARITY MTS 3/12/08

CKE

LUCERNEMINES, PA 15754
(724) 479-3533

THIS DRAWING IS THE PROPERTY OF CKE AND TRANSMITTED IN CONFIDENCE. THE REPRODUCTION, USE OR DISCLOSURE, IN WHOLE OR IN PART, OF THE DESIGN OR DETAILS CONTAINED HEREIN IS PROHIBITED WITHOUT THE WRITTEN PERMISSION OF CKE.

TOLERANCE UNLESS NOTED: DECIMAL +/-0.01	
SCALE: 1/2" = 1"	
DRAWN: DEG	DATE: 10/06/04
APPROVED:	DATE:

TITLE: SILICON HIGH VOLTAGE COLUMN RECTIFIER
DRAWING NO. 3HV16L12A