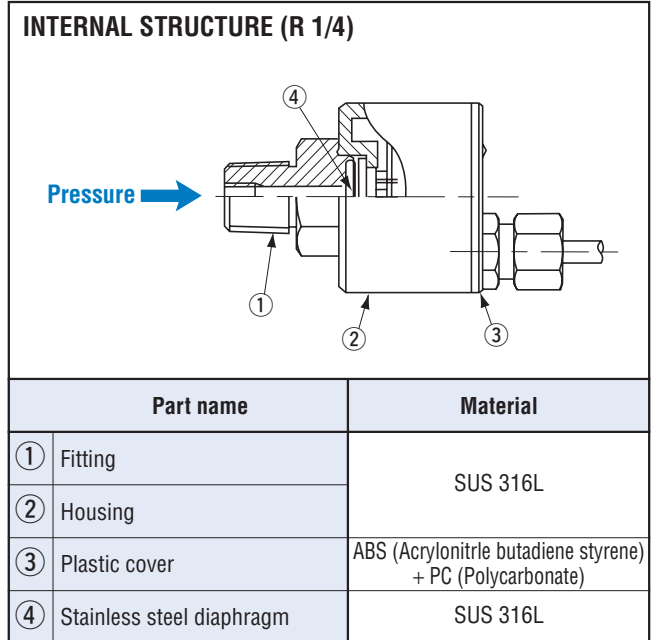


PS85

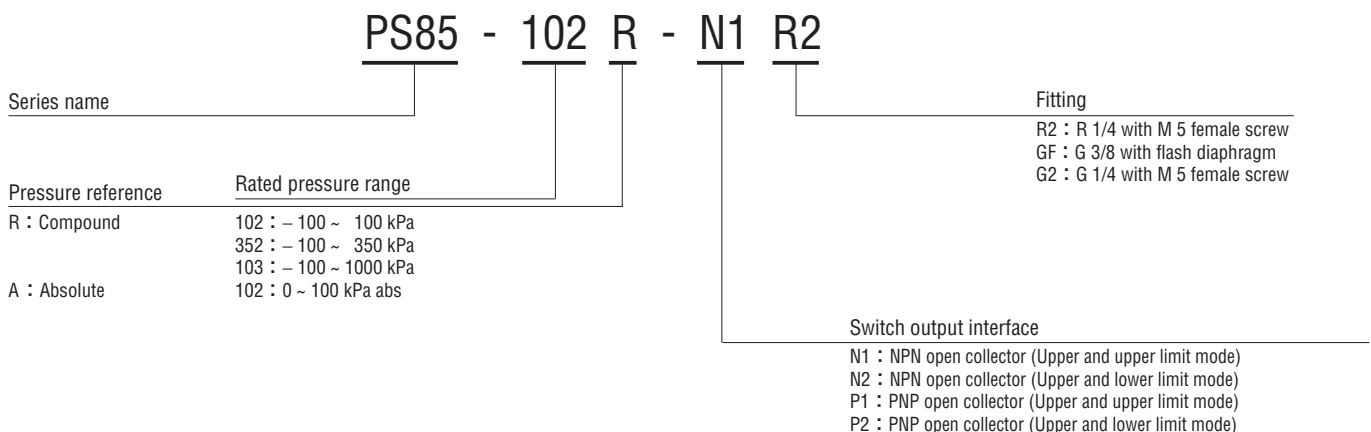
PRESSURE SWITCHES



FEATURES

- High corrosion resistance and drip-proof construction
Pressure port attachment made of SUS 316L
Proven IP-65 grade gauge body (IP-65 in accordance with IEC)
- Standard product provides two switch outputs
- Absolute pressure type and compound pressure type which can control negative to positive pressure with only a single pressure gauge are all in line
- 3 standard types of joint are provided
R2: R 1/4 with M 5 female screw
GF: G 3/8 with flash diaphragm
G2: G 1/4 with M 5 female screw

MODEL NUMBER DESIGNATION



※ Please refer to the LIST OF MODEL NUMBERS when placing orders.

LIST OF MODEL NUMBERS

Fitting	Pressure reference		Gauge			Absolute
	Switch output	Rated pressure range kPa	- 100 ~ 100	- 100 ~ 350	- 100 ~ 1000	0 ~ 100 (abs)
R2 (R 1/4)	NPN (Upper and upper limit mode)		PS85-102R-N1R2	PS85-352R-N1R2	PS85-103R-N1R2	PS85-102A-N1R2
	NPN (Upper and lower limit mode)		PS85-102R-N2R2	PS85-352R-N2R2	PS85-103R-N2R2	PS85-102A-N2R2
	PNP (Upper and upper limit mode)		PS85-102R-P1R2	PS85-352R-P1R2	PS85-103R-P1R2	PS85-102A-P1R2
	PNP (Upper and lower limit mode)		PS85-102R-P2R2	PS85-352R-P2R2	PS85-103R-P2R2	PS85-102A-P2R2
GF (G 3/8)	NPN (Upper and upper limit mode)		PS85-102R-N1GF	PS85-352R-N1GF	PS85-103R-N1GF	PS85-102A-N1GF
	NPN (Upper and lower limit mode)		PS85-102R-N2GF	PS85-352R-N2GF	PS85-103R-N2GF	PS85-102A-N2GF
	PNP (Upper and upper limit mode)		PS85-102R-P1GF	PS85-352R-P1GF	PS85-103R-P1GF	PS85-102A-P1GF
	PNP (Upper and lower limit mode)		PS85-102R-P2GF	PS85-352R-P2GF	PS85-103R-P2GF	PS85-102A-P2GF
G2 (G 1/4)	NPN (Upper and upper limit mode)		PS85-102R-N1G2	PS85-352R-N1G2	PS85-103R-N1G2	PS85-102A-N1G2
	NPN (Upper and lower limit mode)		PS85-102R-N2G2	PS85-352R-N2G2	PS85-103R-N2G2	PS85-102A-N2G2
	PNP (Upper and upper limit mode)		PS85-102R-P1G2	PS85-352R-P1G2	PS85-103R-P1G2	PS85-102A-P1G2
	PNP (Upper and lower limit mode)		PS85-102R-P2G2	PS85-352R-P2G2	PS85-103R-P2G2	PS85-102A-P2G2

※Verify the above model numbers when placing orders.

STANDARD SPECIFICATIONS

● Unless otherwise specified, the specs are defined at an ambient temperature of 25±5 °C and excitation voltage of 12 V DC.

Item	Model number	PS85				
		102R	352R	103R	102A	
General specifications	Pressure reference	Gauge			Absolute	
	Rated pressure range	kPa	- 100 ~ 100	- 100 ~ 350	- 100 ~ 1000	100 (abs)
	Maximum pressure	kPa	200	700	2000	200 (abs)
	Break-down pressure	kPa	300	1050	3000	300 (abs)
	Operating temp. range	°C	- 20 ~ 80			
	Compensated temp. range	°C	0 ~ 50			
	Operating humidity	%RH	35 ~ 85 (No condensation)			
	Storage temp.	°C	- 20 ~ 80 (Atmospheric pressure, humidity 65 %RH maximum)			
	Pressure medium		Corrosive gases/liquids compatible with SUS 316L			
	Insulation resistance	MΩ minimum	100 (500 V DC)			

STANDARD SPECIFICATIONS

● Unless otherwise specified, the specs are defined at an ambient temperature of 25±5 °C and excitation voltage of 12 V DC.

Item		Model number	PS85			
			102R	352R	103R	102A
General specifications	Dielectric strength		800 V AC, 60 s (Leakage current 1 mA maximum)			
	Sealed liquid		Silicone oil			
	Pressure port		R 1/4、G 3/8 (Flash diaphragm)、G 1/4			※1
	Net weight	g	R2 : Approx. 165, GF : Approx. 180, G2 : Approx. 170			
	Drip-proof structure		IP-65			
Power	Supply voltage	V DC	10.8 ~ 30 (Including ripple percentage)			
	Consumption current	maximum	20 mA			
Switch output	No. of outputs		2			
	Output interface		Open collector output (NPN or PNP)			
	Setting method		Adjustable by VR			
	Adjustable range		0 ~ 100 %		0 ~ 108 %	
	Output mode		Upper and upper limite mode/Upper and lower limite mode			
	Display		SW1 : Red LED ON, SW2 : Green LED ON			
	Accuracy	0 ~ 50 °C (Reference temp.: 25 °C)	%F.S.	± 3		
	Hysteresis		%F.S. maximum	2		
	Switching capacity			30 V DC 100 mA以下		
	Residual voltage	V		0.8 (NPN), 1.2 (PNP)		
	Response	ms		Approx. 2		

※1 An "O" ring is provided as accessory. (G 3/8 : P18, G 1/4 : P15)

ENVIRONMENTAL CHARACTERISTICS

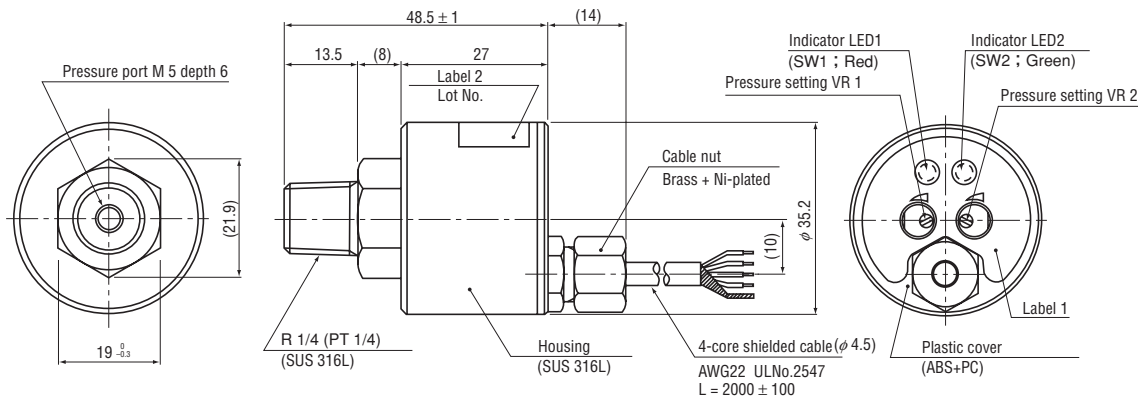
Test item	Test conditions (At 25 ± 5 °C)	Permissible change
Vibration	10 ~ 500 Hz, 1.5 mm maximum/98.1 m/s ² , 3 directions for 2 hours each	Switch output setting: ± 1 %F.S. maximum
Shock	490 m/s ² 3 directions for 3 times each	
Pressure cycling	Rated pressure range, 10 ⁶ cycles	
Moisture resistance	40 °C, 90 ~ 95 %RH, 240 hrs.	

PS85
PRESSURE SWITCHES

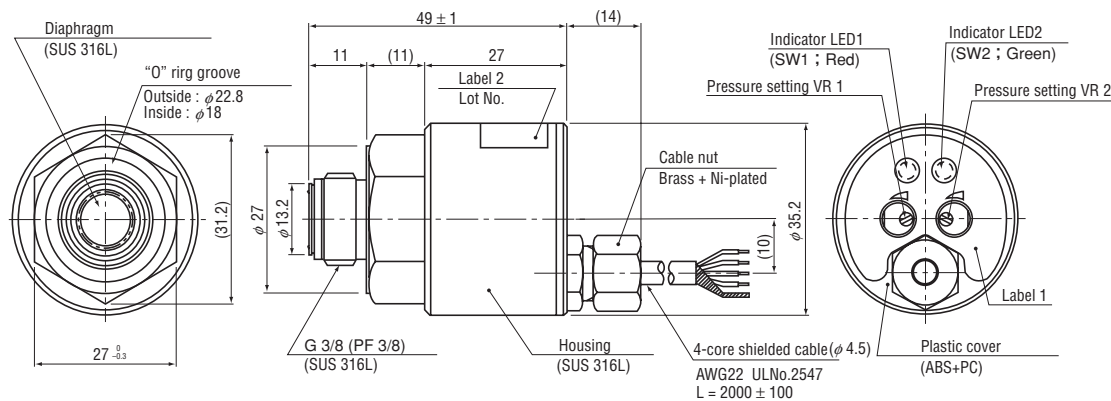
OUTLINE DIMENSIONS

Unless otherwise specified, tolerance : ± 0.5 (Unit: mm)

● Configurations of joint R2 (R 1/4) type

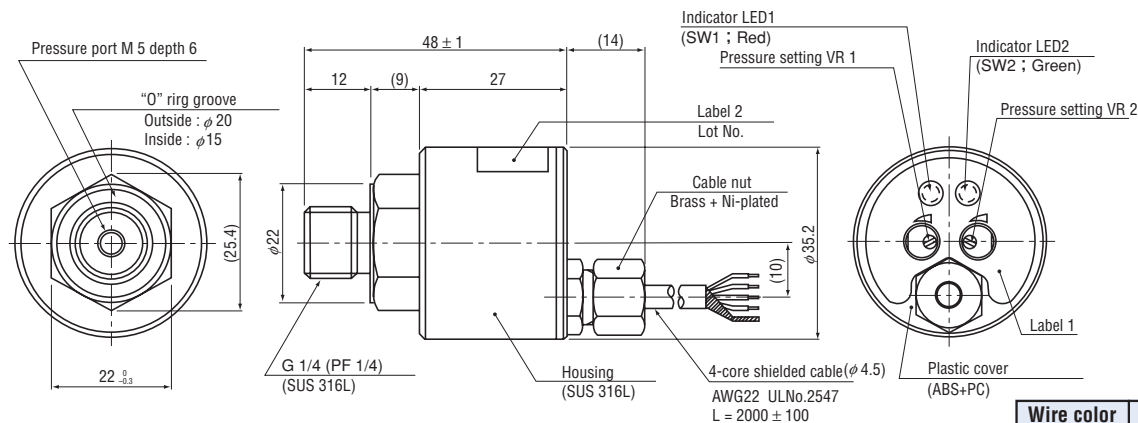


● Configurations of joint GF (G 3/8) type



⚠ Extra care should be taken with the diaphragm part. Do not touch the diaphragm directly to avoid damaging the diaphragm.

● Configurations of joint G2 (G 1/4) type

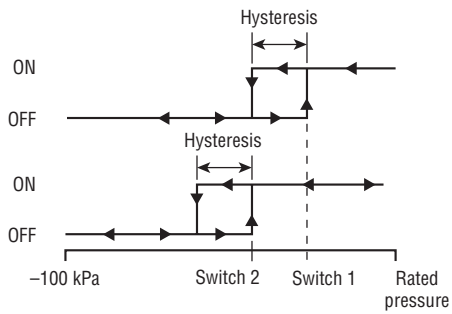


Wire color	Connection
Brown	Power ⊕
Black	Switch output 1
White	Switch output 2
Blue	Common
Shield	Fitting

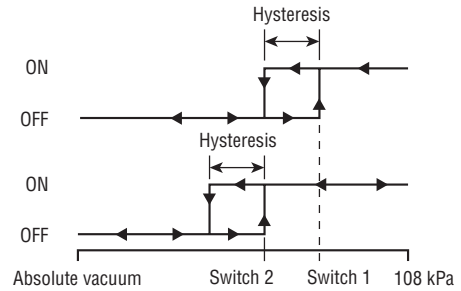
PS85 PRESSURE SWITCHES

SWITCH OUTPUT SCHEMATICS

● PS85-***R-1**

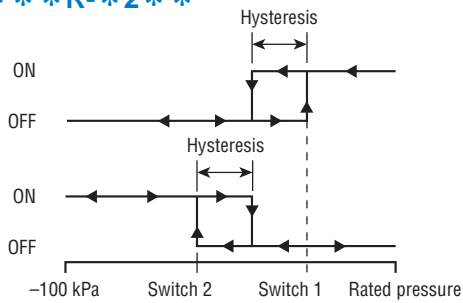


● PS85-102A-1**

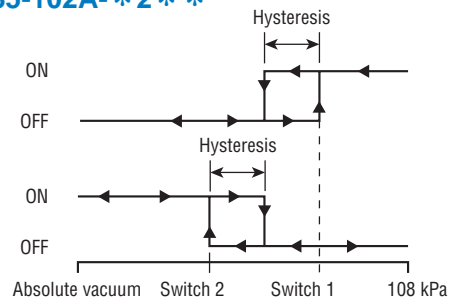


※スイッチ2点とも同一動作 2 switches show same performance.

● PS85-***R-2**

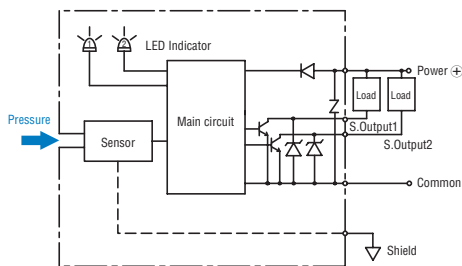


● PS85-102A-2**



INTERNAL ELECTRICAL SCHEMATICS

● NPN



● PNP

