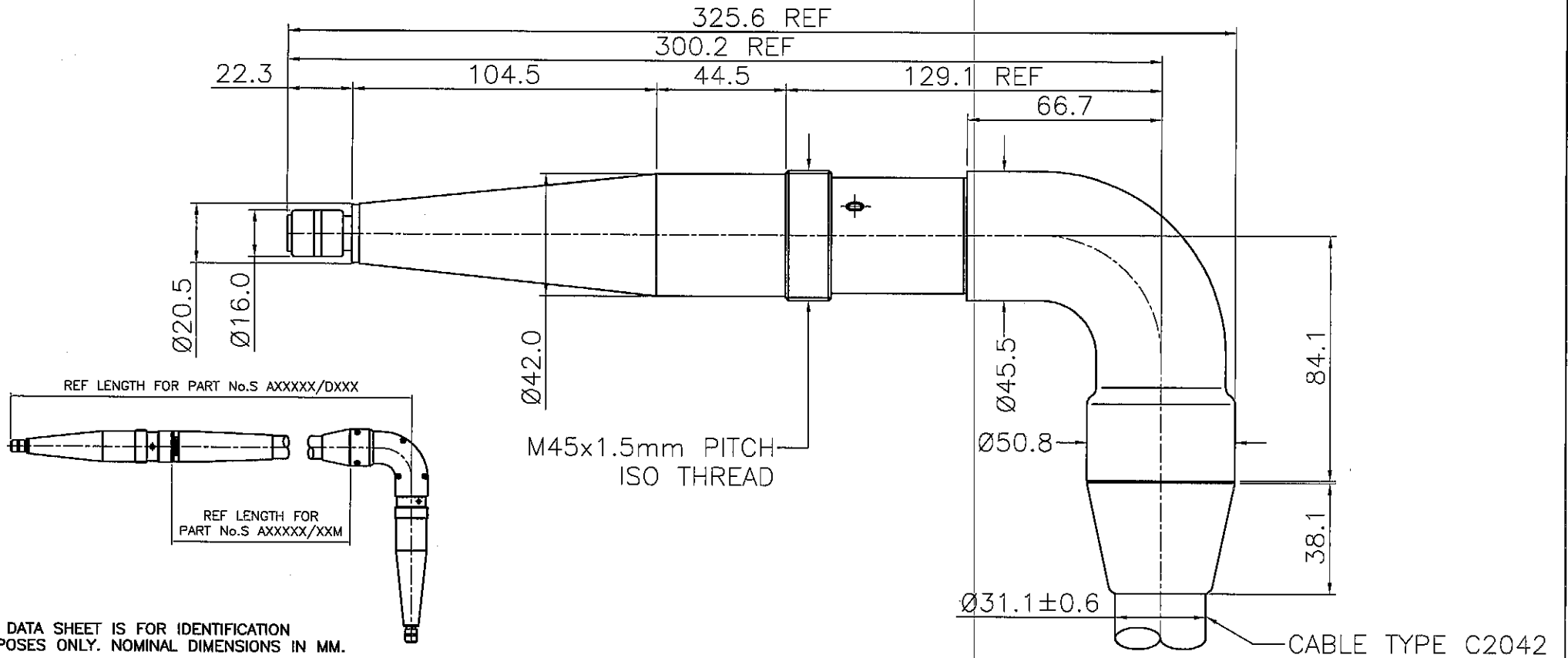


THIS DATA SHEET IS FOR IDENTIFICATION PURPOSES ONLY. NOMINAL DIMENSIONS IN MM.

TECHNICAL DATA:	ACCESSORIES:	INSTALLATION:
<p>TERMINATION:-            NOMINAL OPERATING VOLTAGE 160KV DC            - USING AN ESSEX X-RAY APPROVED RECEPTACLE            CABLE LENGTH TOLERANCE +/- 100mm</p> <p>CABLE:- VOLTAGE WITHSTAND 160KV DC            50KV (RMS) AC </p> <p>FOR FULL CABLE DATA SEE ESSEX CABLE DATA SHEET </p>	<p>CLAMPING SLEEVES:-            STANDARD FLANGE T20131/A            QUICK LOCK T20096/B            ANDREX TYPE FLANGE T20045/C            INSTALLATION GREASE P00075</p>	<p>WARNING:            CABLE SHOULD ONLY BE FITTED BY A TRAINED PERSON.            OIL MUST NOT BE USED ON THE RUBBER TERMINATION, ONLY SUITABLE HIGH VOLTAGE GREASE.            ENSURE BY ADJUSTING THE CLAMPING SLEEVE THAT WHEN THE TERMINATION IS FULLY INSERTED IN THE SOCKET THERE IS A GAP OF 6mm BETWEEN THE MATING FACES OF THE CLAMPING SLEEVE AND SOCKET BEFORE SECURING THE CLAMPING SLEEVE.</p>

**ESSEX X-RAY & MEDICAL EQUIPMENT LTD.**  
 FLITCH INDUSTRIAL ESTATE, CHELMSFORD ROAD  
 GREAT DUNMOW, ESSEX CM6 1XJ ENGLAND  
 Telephone 01371 875661  
 Fax 01371 875665  
 Email sales@essex-x-ray.com

REVISIONS			DUE TO CONTINUING PRODUCT DEVELOPMENT ESSEX X-RAY RESERVES THE RIGHT TO MODIFY DATA WITHOUT NOTICE					© NOT TO BE REPRODUCED IN WHOLE OR PART WITHOUT PRIOR PERMISSION OF ESSEX X-RAY & MEDICAL EQUIPMENT LTD.
NO.	DATE	BY	DRAWN	APPROVED	DATE	ISSUE	SCALE	
3	02.01.01	DCN 1405	JDF		15.09.95	6	N.T.S.	
4	11.05.01	DCN 1455	TITLE					DRAWING No. <b>DS1002</b>
5	11.09.03	DCN 1912	160KV EURO STRAIGHT (R24 TYPE) (CABLE TYPE C2042)					
6	06.03.09	DCN 2905						



THIS DATA SHEET IS FOR IDENTIFICATION PURPOSES ONLY. NOMINAL DIMENSIONS IN MM.

**TECHNICAL DATA:**

TERMINATION:-  
 NOMINAL OPERATING VOLTAGE 160KV DC  
 - USING AN ESSEX X-RAY APPROVED RECEPTACLE  
 CABLE LENGTH TOLERANCE +/- 100mm

CABLE:- VOLTAGE WITHSTAND 160KV DC  
 50KV (RMS) AC

FOR DETAILED DRAWING OF TERMINATION SEE GA1232  
 FOR FULL CABLE DATA SEE ESSEX CABLE DATA SHEET

**ACCESSORIES:**

CLAMPING SLEEVES:-  
 STANDARD FLANGE T20131/A  
 QUICK LOCK T20096/B  
 ANDREX TYPE FLANGE T20045/C  
 INSTALLATION GREASE P00075

**INSTALLATION:**

WARNING:  
 CABLE SHOULD ONLY BE FITTED BY A TRAINED PERSON.  
 OIL MUST NOT BE USED ON THE RUBBER TERMINATION, ONLY SUITABLE HIGH VOLTAGE GREASE.  
 ENSURE BY ADJUSTING THE CLAMPING SLEEVE THAT WHEN THE TERMINATION IS FULLY INSERTED IN THE SOCKET THERE IS A GAP OF 6mm BETWEEN THE MATING FACES OF THE CLAMPING SLEEVE AND SOCKET BEFORE TIGHTENING THE CLAMPING SLEEVE.

**ESSEX X-RAY & MEDICAL EQUIPMENT LTD.**

FLITCH INDUSTRIAL ESTATE, CHELMSFORD ROAD  
 GREAT DUNMOW, ESSEX CM6 1XJ ENGLAND  
 Telephone 01371 875661  
 Fax 01371 875665  
 Email sales@essex-x-ray.com

**REVISIONS**

NO.	DATE	BY

DUE TO CONTINUING PRODUCT DEVELOPMENT ESSEX X-RAY RESERVES THE RIGHT TO MODIFY DATA WITHOUT NOTICE

DRAWN	APPROVED	DATE	ISSUE	SCALE
MJT		04.11.13	1	N.T.S.

© NOT TO BE REPRODUCED IN WHOLE OR PART WITHOUT PRIOR PERMISSION OF ESSEX X-RAY & MEDICAL EQUIPMENT LTD.

TITLE  
 160KV EURO (R24 TYPE) RIGHT ANGLE - FLARED  
 CABLE TYPE C2042

DRAWING No.  
 DS1096