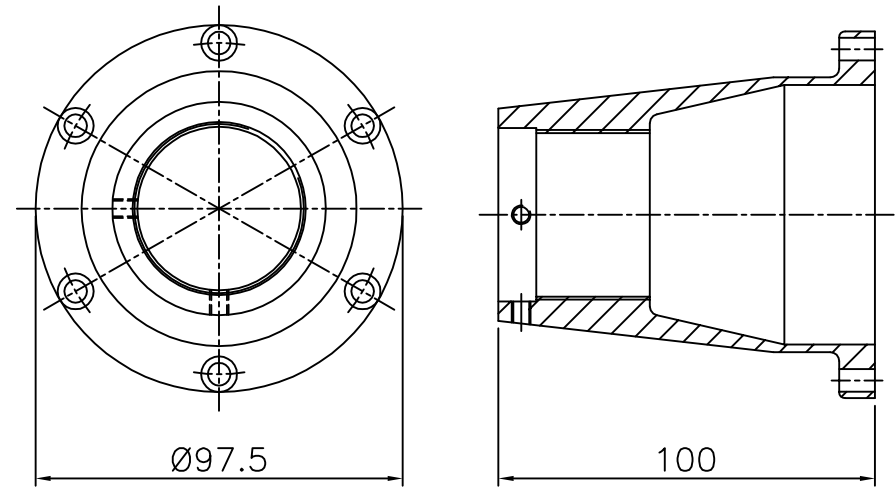
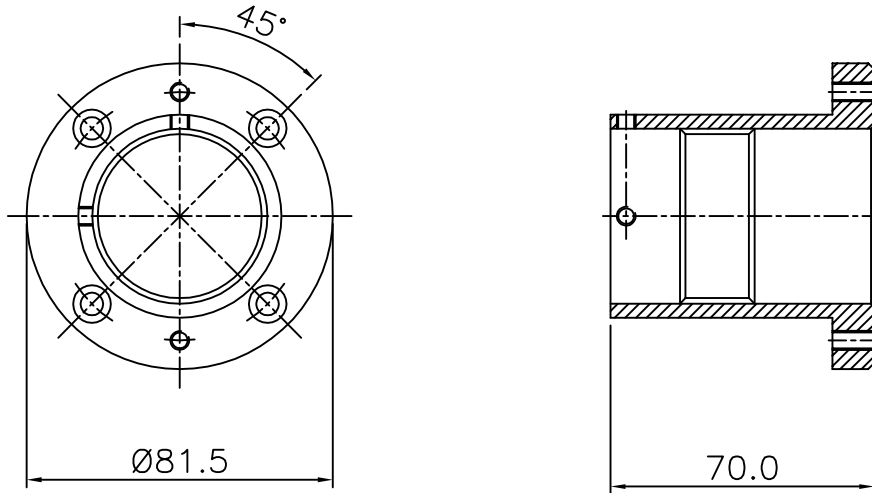


PART No. T20045/C
 THREAD M45x1.5mm PITCH ISO
 6 HOLES Ø6.0 SPOT FACED Ø9.5
 EQUISPACED ON 87.98 PCD

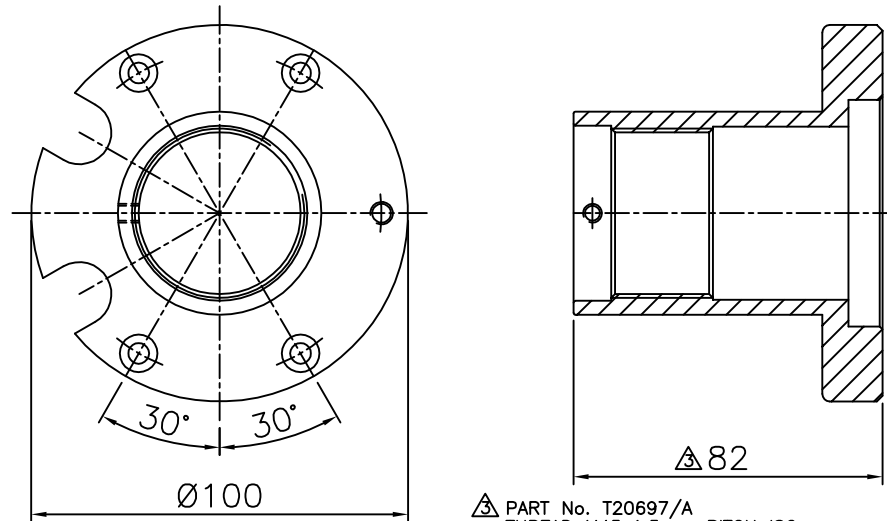


PART No. T20045/D
 THREAD M45x1.5mm PITCH ISO
 6 HOLES Ø6.0 SPOT FACED Ø9.5
 EQUISPACED ON 87.98 PCD

FOR USE WITH RIGHT ANGLE TERMINATIONS



PART No. T20844
 THREAD M45x1.5mm PITCH ISO
 4 HOLES Ø6.0 CBORED Ø10.0x5.55 DEEP
 EQUISPACED ON 65.98 PCD



△ PART No. T20697/A
 THREAD M45x1.5mm PITCH ISO
 4 HOLES Ø5.5 CBORED Ø10.0x5.0 DEEP
 ON 86 PCD

THIS DATA SHEET IS FOR IDENTIFICATION PURPOSES ONLY. NOMINAL DIMENSIONS IN MM.

ESSEX X-RAY & MEDICAL EQUIPMENT LTD.

FLITCH INDUSTRIAL ESTATE, CHELMSFORD ROAD
 GREAT DUNMOW, ESSEX CM6 1XJ ENGLAND

Telephone 01371 875661
 Fax 01371 875665
 Email sales@essex-x-ray.com

REVISIONS DUE TO CONTINUING PRODUCT DEVELOPMENT ESSEX X-RAY RESERVES THE RIGHT TO MODIFY DATA WITHOUT NOTICE

NO.	DATE	BY	DRAWN	APPROVED	DATE	ISSUE	SCALE
2	24.02.03	DCN 1805	MGM		01.03.02	3	N.T.S.
3	21.01.09	DCN 2888					

© NOT TO BE REPRODUCED IN WHOLE OR PART WITHOUT PRIOR PERMISSION OF ESSEX X-RAY & MEDICAL EQUIPMENT LTD.

TITLE
 160 KV FLANGES

DRAWING No.
 DS1061