

## Single-Pin HV-Connectors

### SERIES-100 / Type SB 150



**GES Electronic & Service GmbH**

www.ges-electronic.com

info@ges-electronic.de

Tel.: +49 (0)811 / 541 548 - 0

Fax: +49 (0)811 / 541 548 - 99

 Made in Germany

PROPERTIES	VALUE	STANDARD
<b>General properties</b>		
Number of contacts	1	
Termination technique	screw / solder	
Mounting (device side)	central flange	
Flammability	HB / V-0 (POM / PTFE)	UL 94
<b>Electrical properties</b>		
Testing voltage DC	75 kV	
Operating voltage DC	50 kV	IEC 60664-1
Operating voltage AC (eff., 60Hz)	35 kV	IEC 60664-1
Material group insulation	1	IEC 60664-1
Pollution degree	2	IEC 60664-1
Current carrying capacity	25 A	IEC 60512-3, Test 4a
Contact resistance	300 $\mu\Omega$	IEC 60512-2, Test 2a
Insulation resistance	10 <sup>16</sup> $\Omega$ (contact to housing)	IEC 60512-2, Test 3a
<b>Climatical properties</b>		
Lower temperature	-20 °C / -50 °C * (POM / PTFE)	
Upper temperature	+100 °C / +200 °C * (POM / PTFE)	
<b>Mechanical properties</b>		
Mating- / unmating force (contacts)	5,5 N / 4 N	IEC 60512-7, Test 13b
Mating cycles	$\geq$ 100T	
<b>Materials</b>		
Insulation sleeves	POM / PTFE * (white)	
Contacts	Cu-alloy	
Contact plating	Ag / Au *	
Housing	Al, nickel plated	

CONTACTS & CABLES	VALUE	STANDARD
<b>HV-Contacts</b>		
Contact diameter	2,5 mm	
Max. outer diameter - male	2,3 mm	
Max. outer diameter - female	1,6 mm (solder) / 2,5 mm (cable lug)	
Diameter - wire gauge	max. 3 mm <sup>2</sup>	
<b>HV-Cables</b>		
Suitable cable type	screened (Coax) or unshielded	
Max. outer diameter - screened	7 - 14 mm *	
Max. outer diameter - unshielded	10 mm	
Max. inner insulation diameter	10 mm	

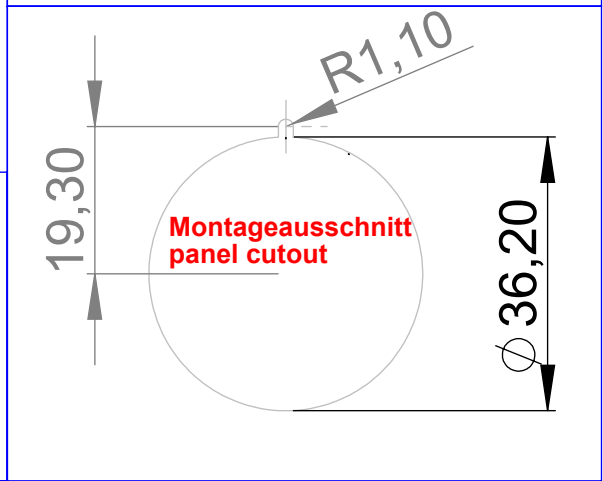
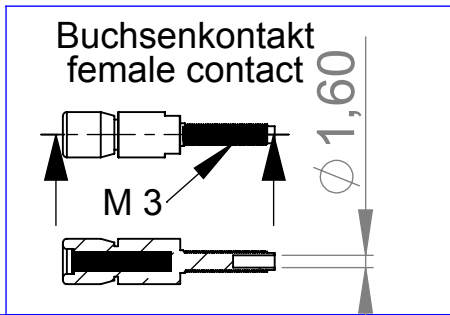
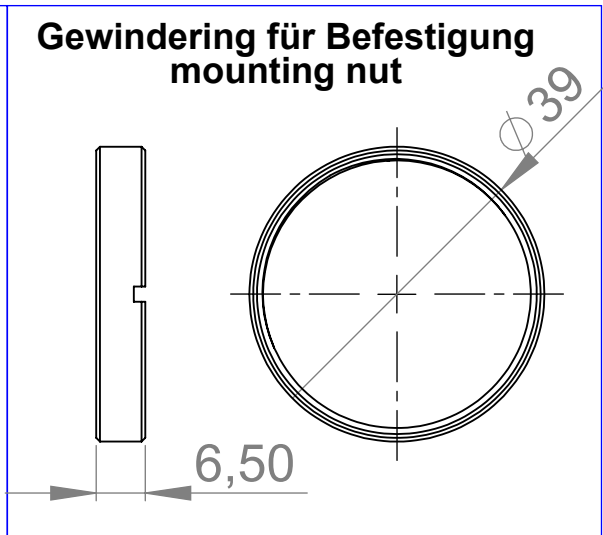
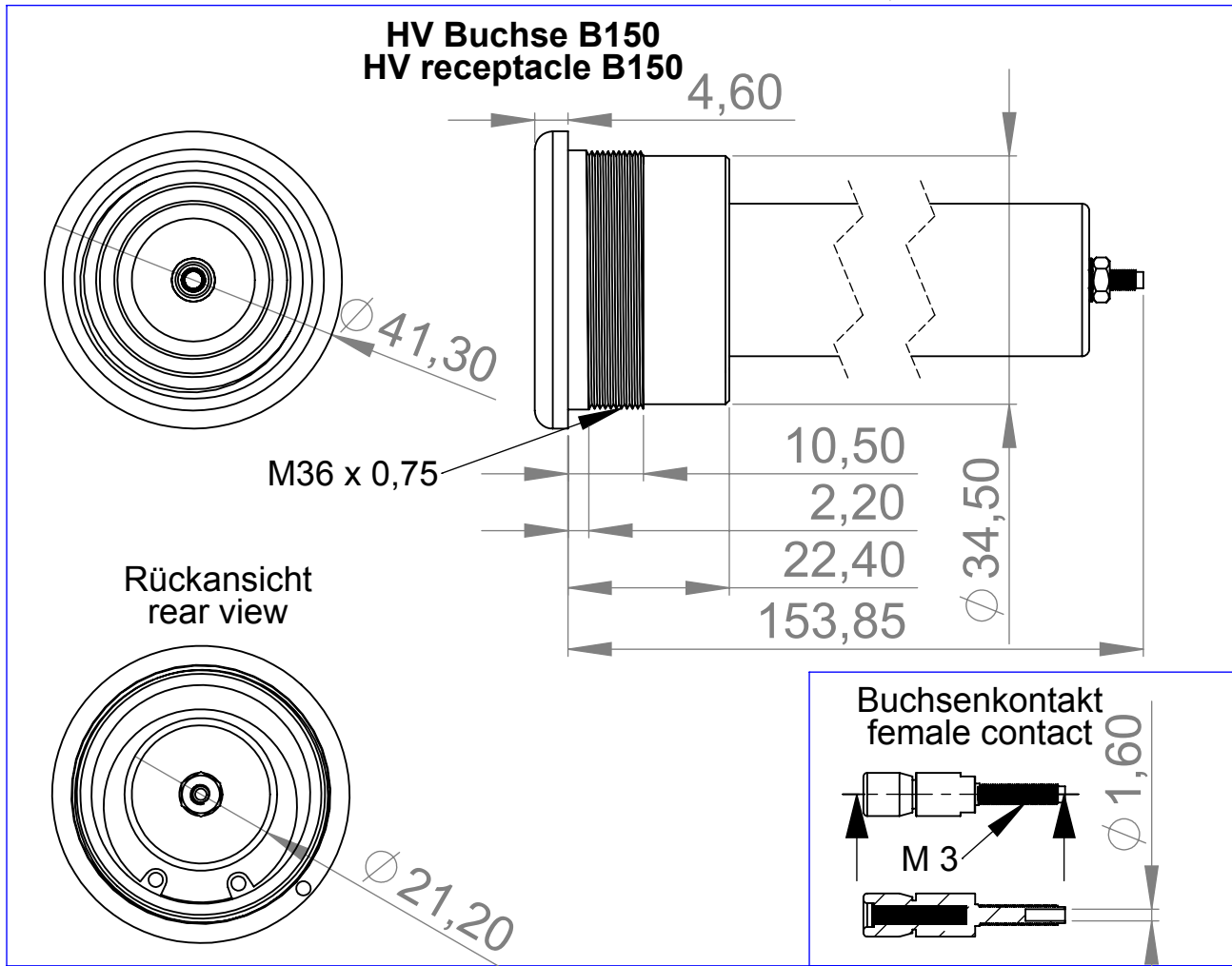
Technical subject to change without prior notice | state of revision 0709 | \* dependent on type and assembly variant

**TESTING ADVICE:** Ratings listed in this table apply to clean connector pairs in standard atmospheric conditions. No warranty or merchantability or fitness for a particular purpose is made and all customers must test each component to determine that it meets their operating and reliability requirements. When connectors are used in an adverse environment, other than stated - such as high temperature, humidity, pollution content, extreme mechanical exposure etc. - the connector should be derated.

**SECURITY ADVICE:** Please be aware that design, installation and inspection of machinery and devices carrying high voltage urgently require accordingly trained and qualified personnel. Improper handling of high voltage can mean severe injuries or even death and may cause serious collateral damage!

Weitergabe sowie Vervielfältigung dieser Unterlage, Verwertung und Mitteilung ihres Inhaltes  
 nicht gestattet, soweit nicht ausdrücklich zugestanden. Zuwiderhandlungen verpflichten zu  
 Schadensersatz. Alle Rechte für den Fall der Patentierung oder Gebrauchsmuster - Eintragung  
 vorbehalten

Copying of this document and giving it to others and the use or communication of the contents  
 thereof, are forbidden without express authority. Offenders are liable to the payment of damages.  
 All rights reserved in the event of the grant of a patent or the registration of the utility model or design.



UNLESS OTHERWISE SPECIFIED:  
 DIMENSIONS ARE IN MILLIMETERS  
 SURFACE FINISH:  
 TOLERANCES:  
 LINEAR:  
 ANGULAR:

FINISH:  
 DEBUR AND  
 BREAK SHARP  
 EDGES

DO NOT SCALE DRAWING  
 REVISION

	NAME	SIGNATURE	DATE
DRAWN	Ammon		21.05.10
CHK'D			
APPV'D			
MFG			
Q.A			

**TITLE:**  
**HV BUCHSE B 150**  
**HV socket B 150**

**DWG NO.**  
**B 150**

**SCALE:** 1:1  
**SHEET** 1 OF 1

**WEIGHT:**  
**GES**

A4