

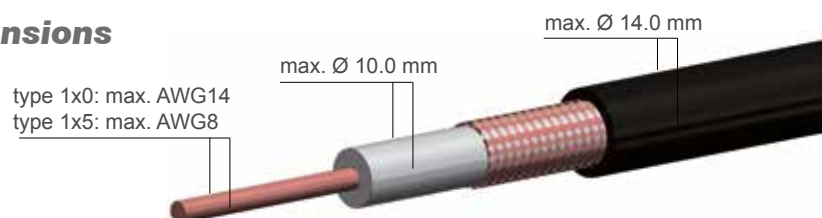
Housing	
Locking system	threaded coupling
Mounting type (panel mount connector)	round flange
Housing material	aluminium (Al)
Surface plating	nickel (Ni)
Protection class (mated connector)	IP50
Operating temperature	-30 °C to +80 °C

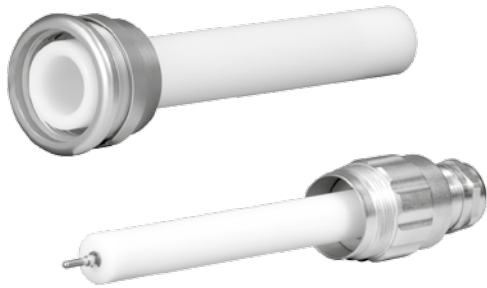
Contacts 2.5 mm (connector types SB1x0)	
Termination method	solder (male contact), solder / screw (female contact)
Rated current	30 A
Max. operating current	40 A
Pulse current	3000 A
Contact resistance	300 $\mu\Omega$
Contact diameter	2.5 mm
Max. wire size	AWG 14 / 2.5 mm ²
Contact material	brass (CuZn)
Contact plating	silver (Ag) / gold (Au)
Insertion / Withdrawal force	5.5 N / 4.0 N
Mating cycles	100000
Rated temperature	+120 °C

Contacts 5 mm (connector types SB1x5)	
Termination method	solder (male contact), solder / screw (female contact)
Rated current	80 A
Max. operating current	110 A
Pulse current	10000 A
Contact resistance	150 $\mu\Omega$
Contact diameter	5 mm
Max. wire size	AWG 8 / 10 mm ²
Contact material	brass (CuZn)
Contact plating	silver (Ag)
Insertion / Withdrawal force	15 N / 10 N
Mating cycles	100000
Rated temperature	+120 °C

Insulation inserts	
Number of contacts	1
Insulation material	PTFE / POM
CTI value	600
Flammability class PTFE	UL94 V-0
Flammability class POM	UL94 HB
Operating temperature PTFE	-50 °C to +200 °C
Operating temperature POM	-30 °C to +120 °C
Insulating material group PTFE / POM	I (DIN IEC 60664)

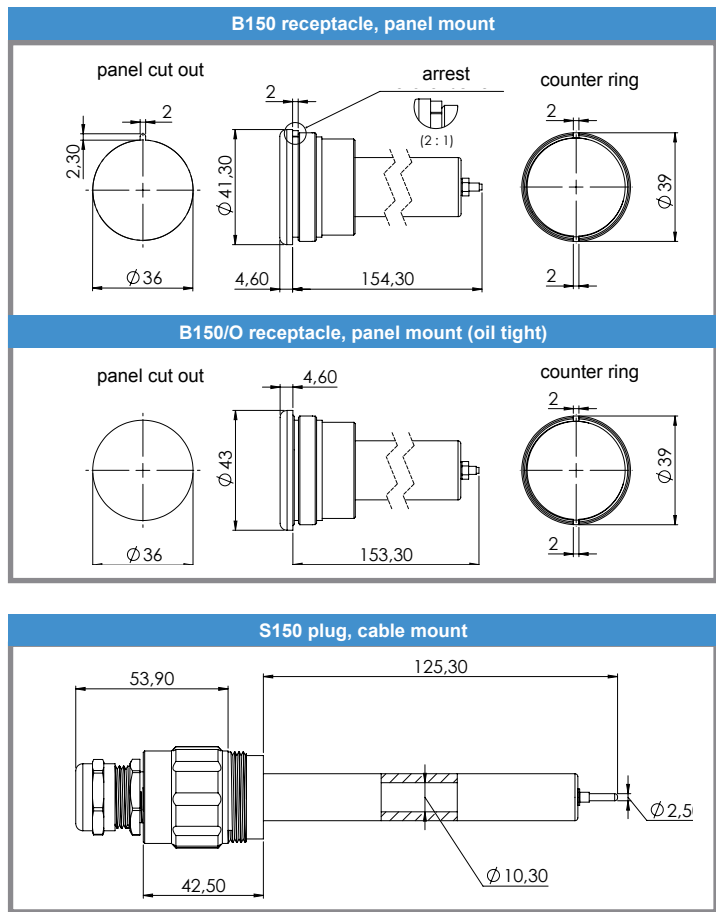
Suitable cable dimensions





B150 receptacle, panel mount
S150 plug, cable mount

Electrical values	
Operating voltage (DC)	50 kV
Test voltage (DC)	75 kV
Rated current	30 A
Maximum operating current	40 A
Pulse current	3000 A
Characteristics	
Contact size	2.5 mm
Insulation material	POM / PTFE
Mounting type receptacle	round flange
Contact plating	silver (Ag)



drawing - dimensions in mm

Insulation material POM

P/N	Description	Plug, cable mount	Receptacle, panel mount	KV* for cable O.D. 5 - 10 mm	KV* for cable O.D. 7 - 12 mm	KV* for cable O.D. 10 - 14 mm	oil tight version
7250000	S150/A POM	•			•		
7250001	S150/B POM	•				•	
7250004	S150/E POM	•		•			
7251000	B150 POM		•				
7251001	B150/O POM		•				•

Insulation material PTFE

P/N	Description	Plug, cable mount	Receptacle, panel mount	KV* for cable O.D. 5 - 10 mm	KV* for cable O.D. 7 - 12 mm	KV* for cable O.D. 10 - 14 mm	oil tight version
7252000	S150/A PTFE	•			•		
7252001	S150/B PTFE	•				•	
7252004	S150/E PTFE	•		•			
7253000	B150 PTFE		•				
7253001	B150/O PTFE		•				•

*KV = screwed cable gland



Accessories - page 39
Mounting instructions - page 40-44
Cables - page 45