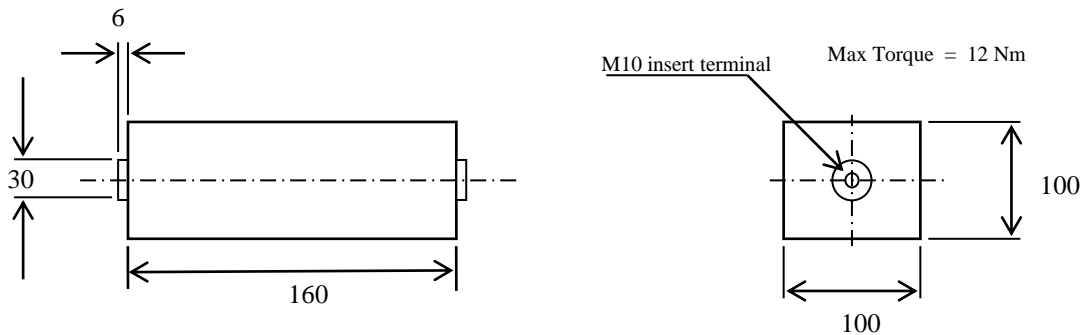


Hivolt Capacitors Limited

Capacitor Data Sheet

Capacitor type number: PPR350-683



Not to Scale
All dimensions in mm unless stated

Part number	PPR350-683
Description	Oil impregnated mixed dielectric capacitor housed in a polypropylene case. The dielectric is a combination of Polyester film interleaved with Kraft capacitor tissue, which is dried and impregnated in purified mineral oil.
Terminations	Two M10 threaded insert bushings
Capacitance	0.068 μ F \pm 10%
Voltage rating	35kV dc working
Test Voltage	52.5kV dc terminal to terminal
Insulation Resistance	Greater than 1.64 x 10 ⁵ M Ω
Power factor	Less than 0.005 measured at 20°C at 1 kHz
Operating temperature range	-40°C to +85°C
Mounting position	Any
Life expectancy	50 000 hrs @ 65°C
Weight	1.9 kg