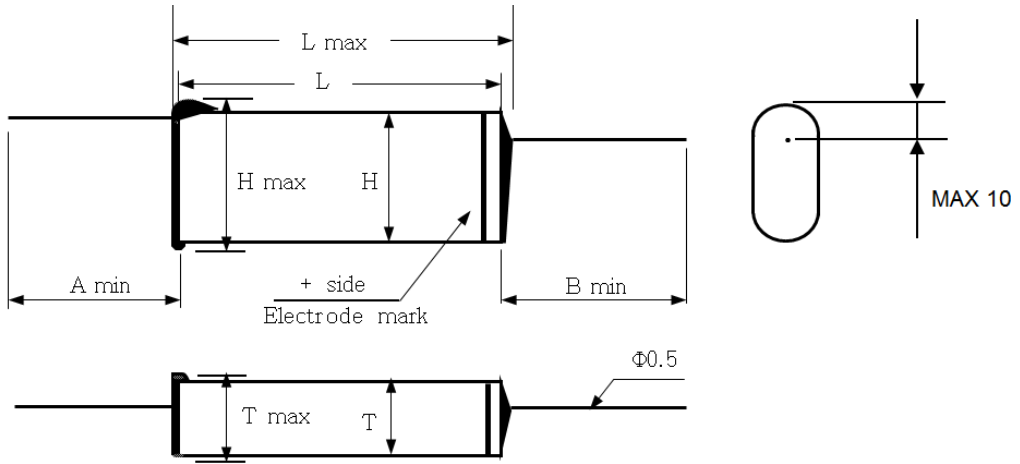


1 Specifications

1500pF 30kVDC High Voltage Plastic Film Capacitor

1.1 Drawing



1.2 Rating and Dimensions

RATING			DIMENSIONS [Unit : mm]							
KVDC	Cap [pF]	Tol [%]	L	Lmax	H	Hmax	T	Tmax	A	B
30	1500	±10	40.0	41.0	22.0±1.0	23.0	8.0±1.0	9.0	50	50
Operating Temperature				- 40°C to + 105°C						
Dissipation Factor				Less than 1% at 20°C – 1kHz						
Overvoltage Test				120% of nominal voltage for 60 sec						
ESR				Less than 100 Ohm at 40kHz						

1.3 Material

Material	Al-metallized polyester film
Impregnant	Epoxy Resin