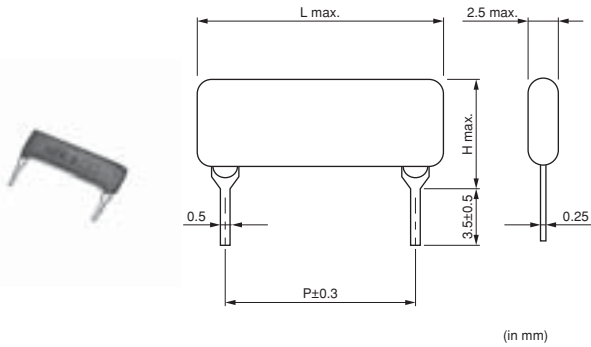


High Voltage Resistors

●MHR_SA Series



Part Number	Resistance (min.) (M ohm)	Resistance (max.) (M ohm)	Rated Voltage (Single Use) (kV)	Rated Voltage (Molded Use) (kV)	Rated Power (W)	Lead Pitch P (mm)	Length L (mm)	Height H (mm)
MHR0307SA○○○△□□	1	500	2	3	0.3	5.08	7.6	5.0
MHR0309SA○○○△□□	1	600	3.5	5	0.5	7.62	10.1	5.0
MHR0312SA○○○△□□	1	1000	5	7	0.6	10.16	12.6	5.0
MHR0314SA○○○△□□	1	1000	6	10	0.7	12.70	15.1	5.0
MHR0317SA○○○△□□	1	1000	7	12	0.8	15.24	17.6	5.0
MHR0319SA○○○△□□	1	1000	8	14	1.0	17.78	20.2	5.0
MHR0409SA○○○△□□	1	1000	3.5	10	0.6	7.62	10.1	6.5
MHR0412SA○○○△□□	1	1000	5	10	0.8	10.16	12.6	6.5
MHR0414SA○○○△□□	1	1000	6	10	1.0	12.70	15.1	6.5
MHR0417SA○○○△□□	1	1000	7	12	1.1	15.24	17.6	6.5
MHR0419SA○○○△□□	1	1000	8	14	1.2	17.78	20.2	6.5
MHR0422SA○○○△□□	1	1000	9	16	1.3	20.32	22.7	6.5
MHR0424SA○○○△□□	1	1000	10	18	1.4	22.86	25.3	6.5
MHR0429SA○○○△□□	10	1000	12	22	1.7	27.94	30.5	6.5
MHR0609SA○○○△□□	1	1000	3.5	10	0.8	7.62	10.1	9.0
MHR0612SA○○○△□□	1	1000	5	10	1.0	10.16	12.6	9.0
MHR0614SA○○○△□□	1	1000	6	12	1.2	12.70	15.1	9.0
MHR0617SA○○○△□□	1	1000	7	14	1.3	15.24	17.6	9.0
MHR0619SA○○○△□□	1	1000	8	16	1.4	17.78	20.2	9.0
MHR0622SA○○○△□□	1	1000	9	18	1.5	20.32	22.7	9.0
MHR0624SA○○○△□□	1	1000	10	20	1.6	22.86	25.3	9.0

For resistance value and ratio of B circuit, please contact us.

● Part Numbering

High Voltage Resistors

(Part Number)

MHR	0409	S	A	107	J	70
①	②	③	④	⑤	⑥	⑦

① Product ID

Product ID	
MHR	High-voltage Resistors

② Board (W×L) Dimensions

Ex.)	Code	Dimensions
	0409	4×9mm
	0609	6×9mm

③ Type

Code	Type
S	Hoop Terminal, Blue Epoxy Resin

④ Circuit

Code	Circuit
A	Single Element
B	Two Elements, Series Circuit

⑤ Resistance

Expressed by three figures. The unit is ohm (Ω). The first and second figures are significant digits, and the third figure expresses the number of zeros which follow the two figures.

Ex.)	Code	Resistance
	406	40M Ω
	207	200M Ω

⑥ Resistance Tolerance

Code	Resistance Tolerance
F	±1%
G	±2%
J	±5%
K	±10%
M	±20%

⑦ Individual Specifications

Code	Individual Specifications
20	Molded use
70	Single use