

Data Sheet

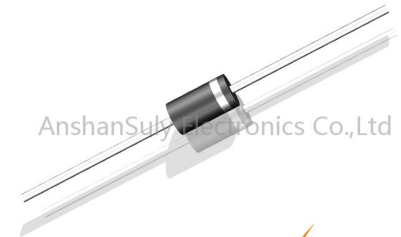
CLG15-05 High voltage rectifier diode adopts high reliable mesa structure and diffusion craftwork, epoxy resin molded in a compact structure.

▼ Feature

- ❖ Avalanche Characteristic
- ❖ Excellent surge current resistance
- ❖ High speed switch response characteristics
- ❖ Epoxy resin molded in vacuum, have anti-corrosion in the surface
- ❖ Tj:50°C—+175°C
- ❖ Special high temperature resistant chip that can withstand harsh working conditions

▼ 2D

Graphical Representation



AnshanSully Electronics Co.,Ltd

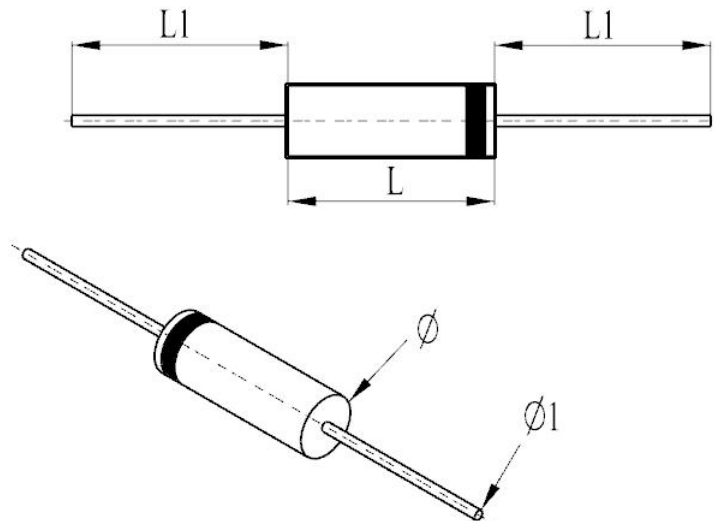


	Item	Symbol	Unit	Conditions	Rating
Absolute Maximum Ratings	Repetitive Peak Reverse Voltage	V_{RRM}	KV	Ta=25°C I _R =0.1μA	15
	Peak Working Reverse Voltage	V_{RWM}	KV	Ta=25°C I _R =0.1μA	15
	Average Forward Current	I _{F(AV)}	mA	50Hz Half-sine Wave , Resistance load @T _{break} =50°C	500
	Reverse Recovery Time	trr	nS		100
	Surge Forward Current	I _{FSM}	A	0.01S @ Half-Sine wave 50Hz	10
	Operating Ambient Temperature	T _a	°C		-40 ~ +150
	Storage Temperature	T _{stg}	°C		-40 ~ +120
Electrical Characteristics	Forward Peak Voltage	V _{FM}	V	@ Ta=25°C I _F =500mA	≥25
	Peak Reverse Current	I _{RRM1}	μA	@ Ta=25°C V _{RM} =V _{RRM}	2.0
		I _{RRM2}	μA	@ Ta=100°C V _{RM} =V _{RRM}	20.0

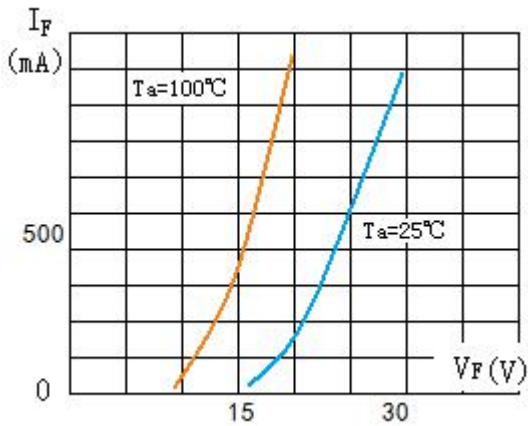
▼ Outline Drawings

(Unit:mm)

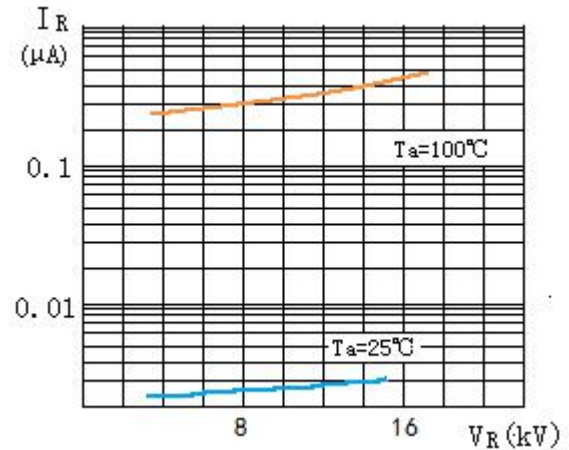
	Dia.(Φ)	(L)	Dia.($\Phi 1$)	(L1)
Fig①	5	9	1.2	>20



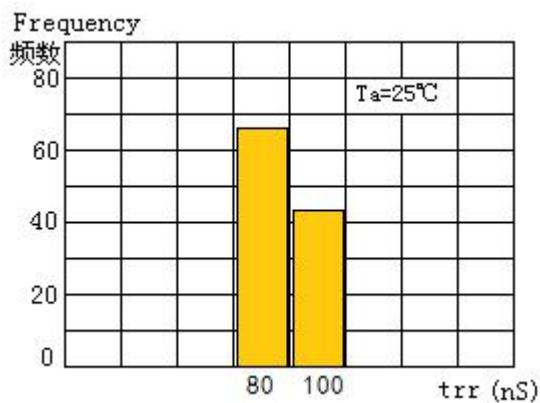
▼ Characteristic Curve



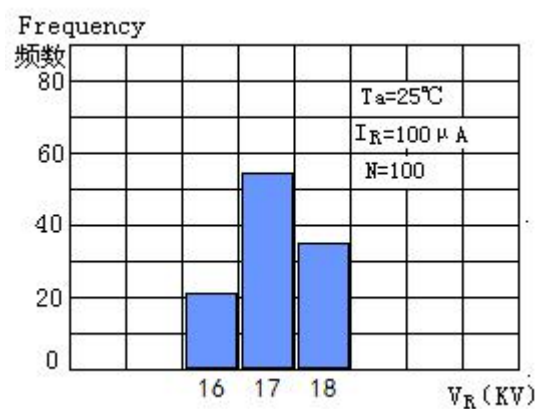
Forward Characteristics
(CLG15-05)



Reverse Characteristics
(CLG15-05)



Reverse Recovery Time Distribution
(CLG15-05)



Avalanche Breakdown Voltage Distribution
(CLG15-05)