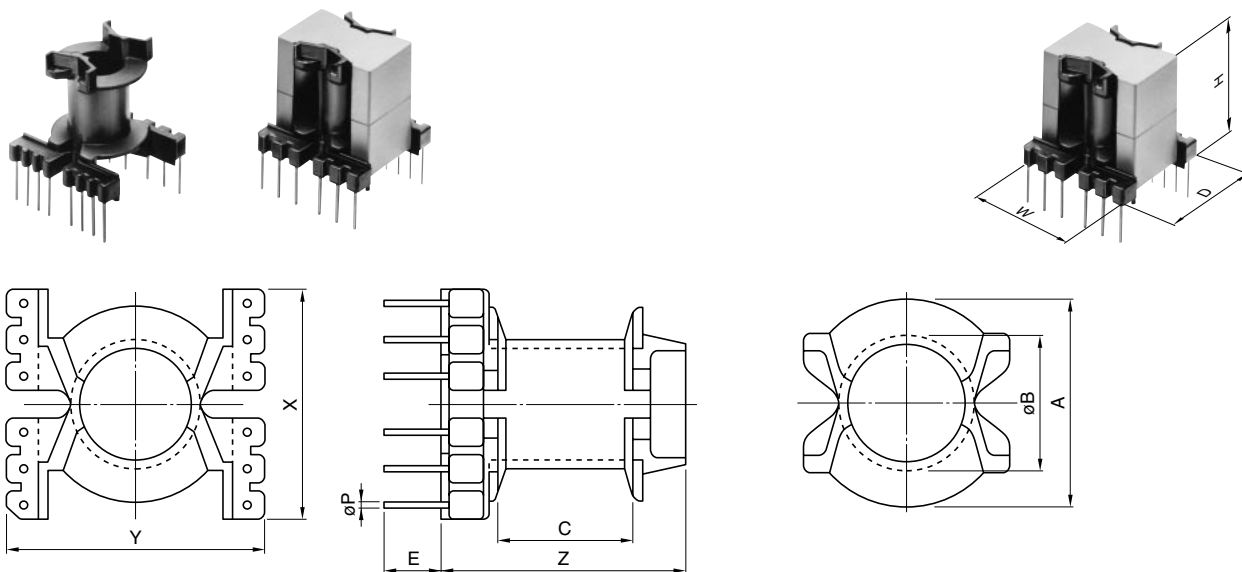


# PQ BOBBINS



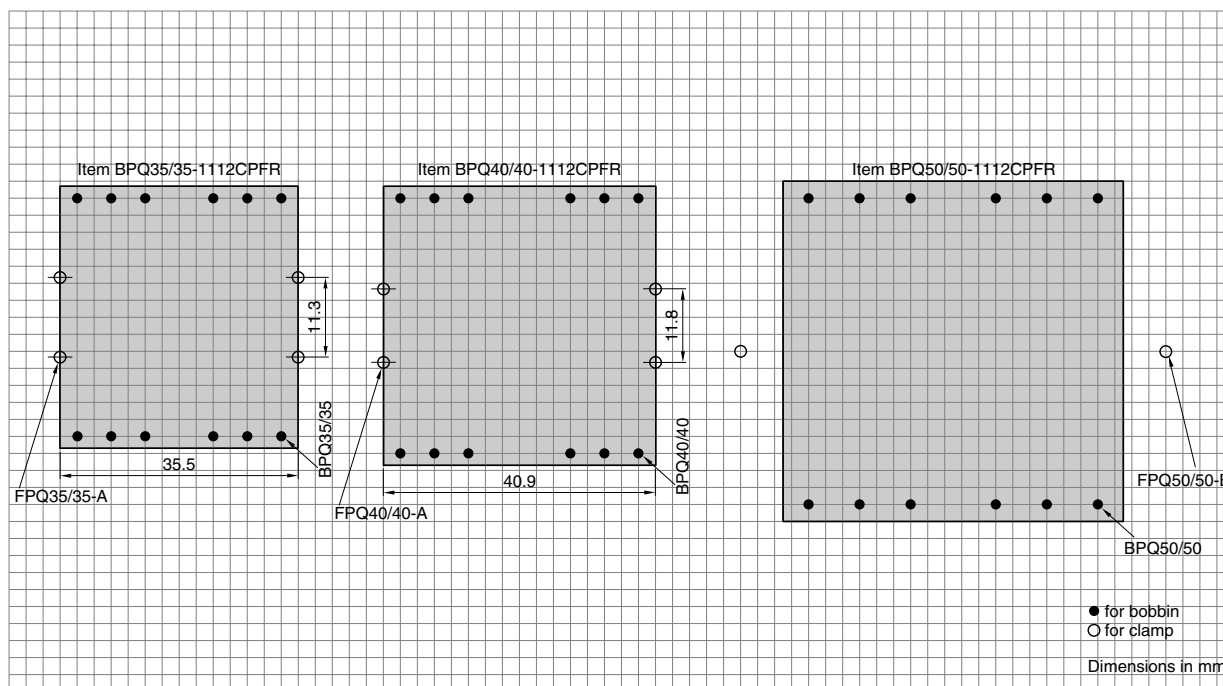
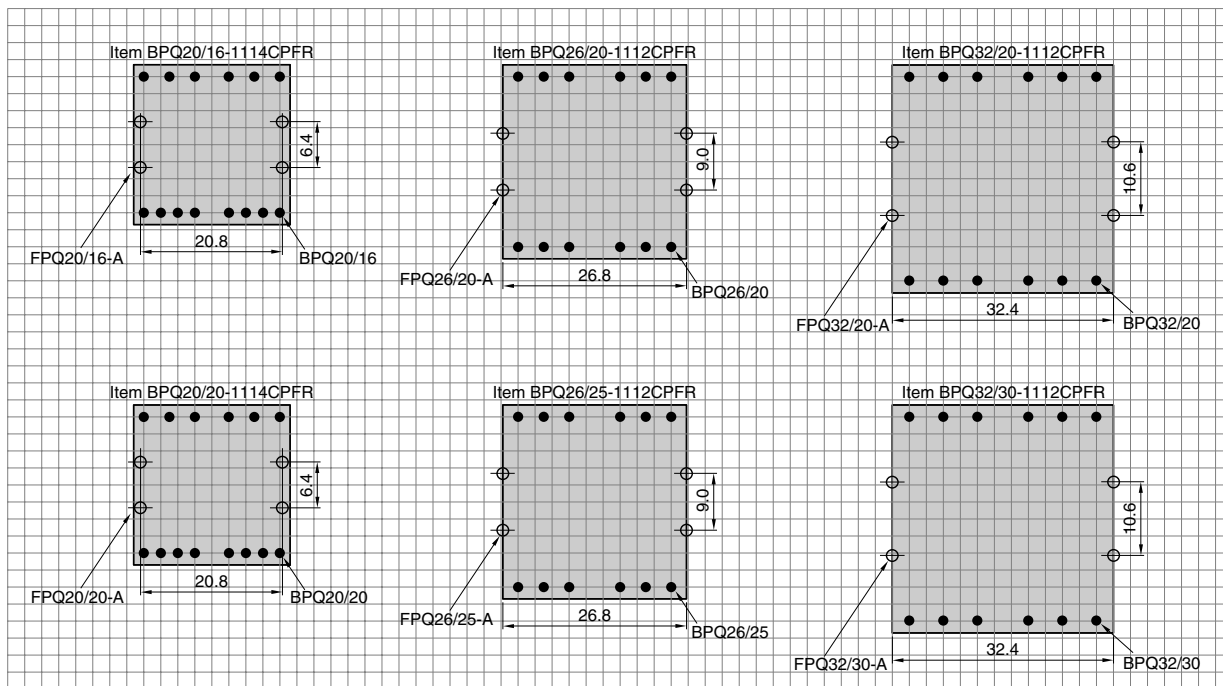
Part No.	Dimensions in <small>mm</small> <small>inches</small>							
	A	øB	C	E	X	Y	Z	t*
BPQ20/16-1114CPFR	17.2 .677	10.95 .431	8.0 .315	6.5 .256	23.0 .906	23.0 .906	18.3 .720	0.8 .031
BPQ20/20-1114CPFR	17.2 .677	10.95 .431	12.0 .472	6.5 .256	23.0 .906	23.0 .906	21.3 .839	0.8 .031
BPQ26/20-1112CPFR	21.6 .850	14.3 .563	9.2 .362	6.5 .256	26.5 1.043	29.3 1.154	21.5 .846	0.8 .031
BPQ26/25-1112CPFR	21.6 .850	14.3 .563	13.8 .543	3.5 .138	26.5 1.043	29.3 1.154	25.1 .988	0.8 .031
BPQ32/20-1112CPFR	26.6 1.047	16.0 .630	8.98 .354	7.0 .276	32.0 1.260	34.0 1.339	22.48 .885	0.9 .035
BPQ32/30-1112CPFR	26.6 1.047	16.0 .630	18.6 .732	7.0 .276	32.0 1.260	34.0 1.339	32.1 1.264	0.9 .035
BPQ35/35-1112CPFR	31.1 1.224	16.9 .665	22.50 .886	7.5 .295	35.0 1.378	39.0 1.535	37.4 1.472	0.9 .035
BPQ40/40-1112CPFR	36.0 1.417	17.5 .689	26.8 1.055	6.5 .256	40.0 1.575	42.0 1.654	44.8 1.764	0.9 .035
BPQ50/50-1112CPFR	42.9 1.689	23.2 .913	30.4 1.197	10.0 .394	51.0 2.008	51.0 2.008	52.0 2.047	1.0 .039

Part No.	Dimensions in mm			Parameter		Wt (g)	Accessory item
	øP (mm)	Terminal pins	W D (mm) H	Aw (mm <sup>2</sup> )	l w (mm)		
BPQ20/16-1114CPFR	0.6	14	23.0 23.0 18.3	23.4	44	2.7	FPQ20/16-A
BPQ20/20-1114CPFR	0.6	14	23.0 23.0 22.3	36.2	44	2.8	FPQ20/20-A
BPQ26/20-1112CPFR	0.8	12	26.5 29.3 21.5	30.7	56.2	4.3	FPQ26/20-A
BPQ26/25-1112CPFR	0.8	12	26.5 29.3 29.1	47.7	56.2	4.9	FPQ26/25-A
BPQ32/20-1112CPFR	1.0	12	32.0 34.0 22.5	42.9	67.1	6.6	FPQ32/20-A
BPQ32/30-1112CPFR	1.0	12	32.0 34.0 32.1	95.3	67.1	7.4	FPQ32/30-A
BPQ35/35-1112CPFR	1.0	12	35.0 39.0 37.4	154.2	75.2	11	FPQ35/35-A
BPQ40/40-1112CPFR	1.0	12	40.0 42.0 44.8	240.0	83.9	14	FPQ40/40-A
BPQ50/50-1112CPFR	1.2	12	51.0 51.0 52.0	313.0	104	22	FPQ50/50-B

UL Grade: 94V-0, Material: FR phenol, Pin material: Steel wire (Solder plated)  
 Maximum number of turns N that can be wound on bobbins, see section of "Maximum number of Turns on Bobbins".  
 \* Minimum thickness of bobbin inside which core is placed, including flanges.

• All specifications are subject to change without notice.

### Connecting Pin Patterns (2.54mm/0.1 inch grids) View in mounting direction



• All specifications are subject to change without notice.